



FUNCTIONAL MATHS - Cylinder design

You are part of a manufacturing company that makes metal cylinders (for canned food, containers etc..)

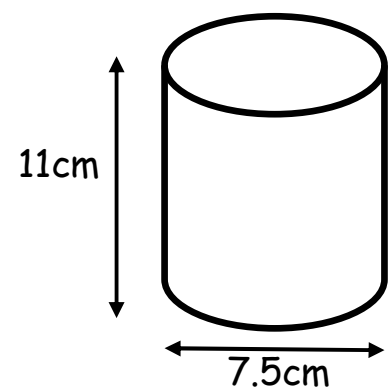
You have been given **one sheet** of sugar paper from which to cut the shapes needed for your cylinders.

- You must ensure that the waste from your paper is as small as possible

WASTED MATERIAL COSTS MONEY IN BUSINESS

- You must ensure that each cylinder is **CLOSED**
- Each cylinder must be identical in diameter and height.
- You have **1 sheet** of paper only. Do not waste it!

ALL cylinders MUST have a DIAMETER of 7.5cm and a HEIGHT of 11cm



During the planning, consider:

- The **net** of a cylinder
- The **dimensions** on the net of each cylinder
- A **cutting plan** on your sheet (to minimise waste)

Towards the end....

- Add a **design** to your cylinder (Brand name like "Builders beans")
- **Construct** each cylinder (sellotape and glue needed)
- **Compare the number** of cylinders made with another group.